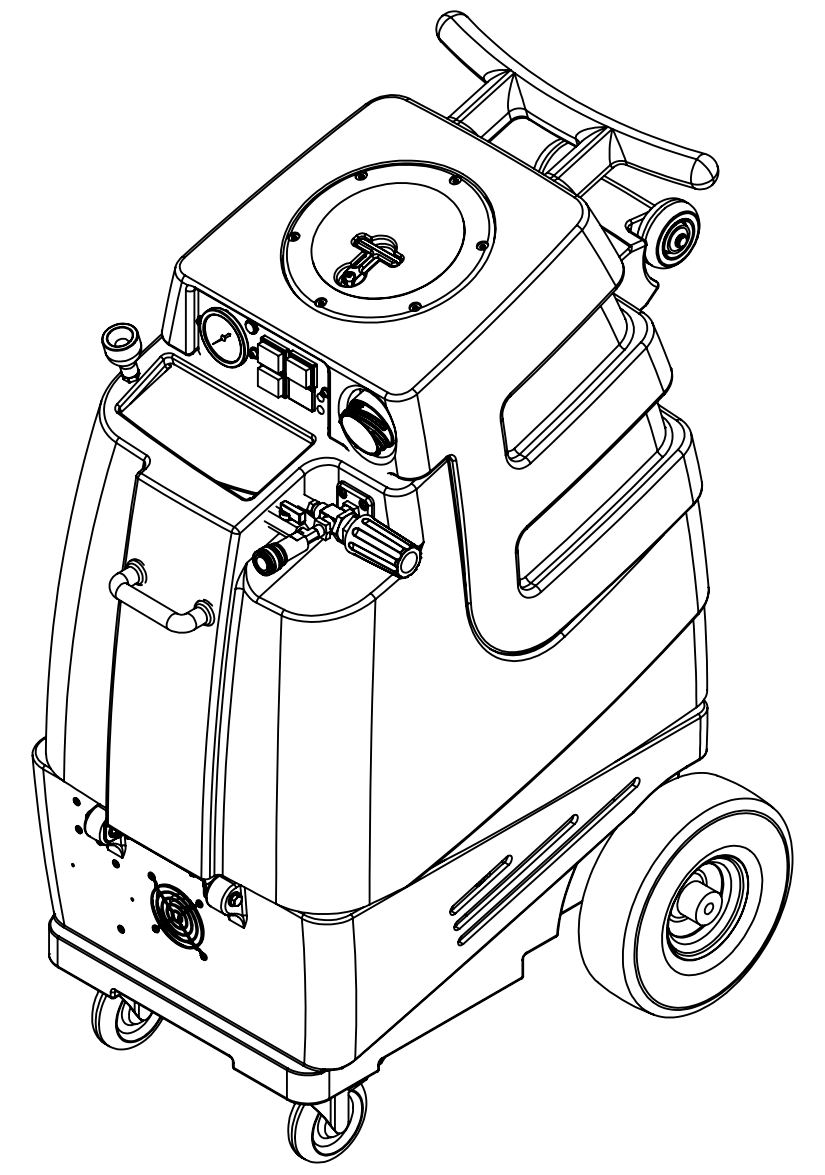


ITEM NO.	PART NO.	DESCRIPTION	QTY.
1	H273	nut, kep, #10-32 zinc	14
2	G165	cover, relay	2
3	E632	relay, shut-off switch, mechanical float, 115v	2
4	H186	screw, 10-32 x 3/4, phil, flat, countersunk, s/s, black	6
5	H296	guard, cooling fan, wire	2
6	H304	screw, 8 x 5/8", phil oval, s/s	14
7	H378	bracket, front hinge, sp/fb	1
8	H210	washer, 1/4" flat, s/s	38
9	H213	washer, 1/4" lock, s/s	11
10	H201	bolt, 1/4-20 x 1/2", hex head, zinc	2
11	H216	nut, lock, 1/4-20, nylon insert, s/s	10
12	H316	bolt, 1/4x1-1/2", hex head zinc	2
13	E564	controller, circuit light, audible	1
14	H342	bolt, 1/4-20 x 1" hex head, s/s	12
15	H668	caster, 4", black hub & gray tread	2
16	P731	base	1
17	H371	axle, 18.03" x .50" dia	1
18	H254	washer, axle, cut 1/2" id	8
19	H109	wheel, 10", foam filled	2
20	H042	c-clip, 12mm, external	2
21	E360	flanged male inlet recaptacle, 230V, 20A	2
22	H230	screw, 10-32 x 1/2" phil pan head, s/s	10
23	H912	bracket, rear, fb/spy	1
24	H770	bolt, 1/4-20 x 1/2" serrated hex flange, zinc	8
25	H307	washer, star, 1/4" steel zinc	2
26	H215	nut, hex, 1/4-20 s/s	6
27	B107	nipple, hex, 1/4"mpt x 1/4"mpt	3
28	B644	barb, 1/2" barb x 1/4" mpt	1
29	B103	elbow, 90 deg street, 1/4"mpt x 1/4" fpt	5
30	C342	pump, 500 PSI, pumptec, 120V/230V	1
31	B127	plug, brass, 1/4"mpt, hex	1
32	AH117	sol hose, pulse, 3/8" x 49", 1/4 fsw x 1/4 fsw	2
33	B136	elbow, brass, 90 deg, 1/4" mpt x 1/4" mpt	1
34	B160	adapter, brass, 1/2" barb x 3/8" fsw, ball end	1
35	H347	clamp, hose, 5/16-29/32	2
36	PH615K-36	sol hose, 1/2" kuri, 100 psi	1
37	H201	bolt, 1/4-20 x 1/2" hex head, s/s	2
38	H211	washer, 1/4" id x 1" od, flat, s/s	6
39	G052	washer, buna 1-1/8" od x 3/16" id	6
40	H485	handle, aluminum grip, black	1
41	PH612-55	clear tubing, 1/2" OD x 3/8" ID, faucet fill	1
42	B241	adapter, brass, 3/8" barb x 1/4"mpt	1
43	H178	faucet fill	1
44	G018	cover, sol tank (sp)	1
45	P732	sol tank, speedster	1
46	H124V	Cuff-Lynx, 2" fem cuff x 2" male thread starter cuff, vinyl	2
47	PH634-24	sol hose, 1/4", 300 PSI	1
48	H164	grommet, 5/8" ID	2
49	B109	barb, 1/4" barb x 1/4" mpt	2
50	H484	plate, mounting, QD	1
51	C313C	regulator, 450 psi, silver spring	1
52	B135	tee, 1/4" mpt x 1/4" mpt x 1/4" mpt	1
53	B102	quick disconnect, 1/4" fqd x 1/4" fpt	1
54	B656	valve, ball, 1/4" fpt x 1/4" fpt, s/s	1
55	B170	ferrule, 1/4" brass	2
56	PH634-24	sol hose, 1/4", 300 PSI	1
57	B186	elbow, 90 deg street, 3/8"mpt x 3/8" fmpt	1
58	H299	washer, 11/16" id x 1-1/2" od x .075, s/s	3
59	B216	nipple, brass, 3/8" x close	1
60	B210	bushing, brass, 1/2"mpt x 3/8" fpt, hex	1
61	B119A	filter, strainer, 1/2" fpt	1
62	H422	plug, dome 3/8", black	2

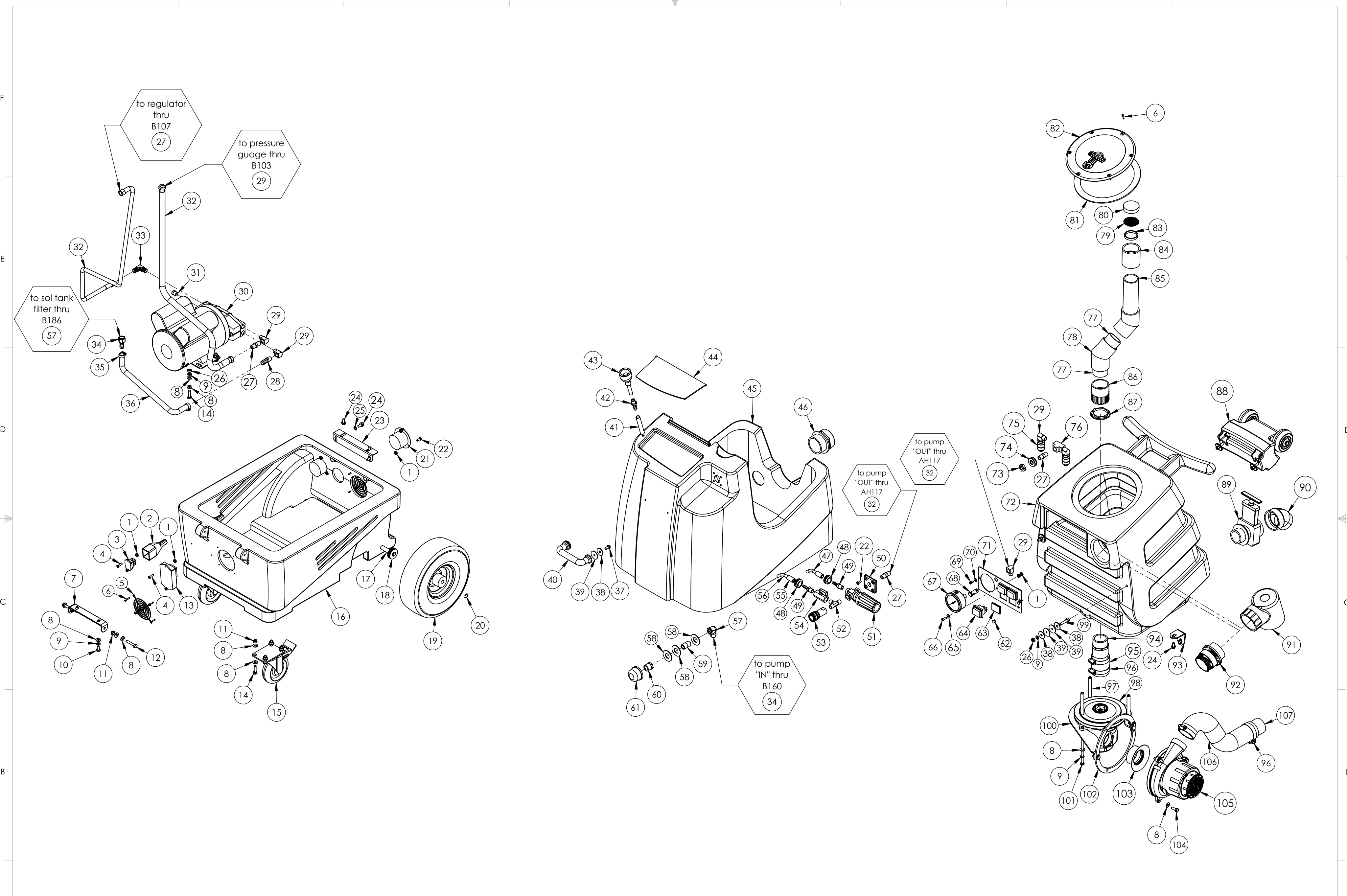
ITEM NO.	PART NO.	DESCRIPTION	QTY.
63	P967A	plug, switch	1
64	E515	switch, rocker, 2 position	3
65	H289	washer, 10 flat, s/s	1
66	H389	screw, 10-32 x 1/2" SHCS, alloy	1
67	H308D	gauge, pressure, 2000 PSI	1
68	E512B	light, indicator, blue	1
69	H246	screw, 8-32 x 3/8" SHCS, alloy, Black	2
70	H612	washer, 8 flat, black ox	2
71	H337	plate, switch, 1003DX, 1005DX	1
72	P733	vac tank, speedster	1
73	B156	nut, 1/4" npt	1
74	H212	flat washer, 9/16" ID x 1 1/16" OD, AN960-C916	2
75	E373	level switch, vacuum shut-off, rear threads	2
76	B113	tee, 1/4" fpt x 1/4" fpt x 1/4" fpt	1
77	PH633-2	pipe, pvc, 1-1/2"	2
78	P503	adapter, 1.5" pvc, 45 deg, fslip	2
79	G097	filter, screen mesh, 1.90" dia	1
80	G003	filter, foam, 2", vac stack, 1/2"	1
81	G091	gasket, 7", vac lid	1
82	G090	lid, vac tank, clear, 7"	1
83	PH633-1	pipe, pvc, 1-1/2"	1
84	P502	adapter, 1.5" pvc, fslip x fslip	1
85	PH633-06	pipe, pvc, 1-1/2"	1
86	H244	adapter, pvc, 1-1/2" fms x fmpt	1
87	H314	nut, lock, 1-1/2", steel	1
88	A145	Handle, Wheel Kit, LTD	1
89	H225	valve, drain, 1-1/2"	1
90	H226	spout, drain, 45 degree	1
91	A926	elbow, inlet assembly 2"	1
92	H135V	Cuff-Lynx, 2" male cuff x 2" mpt, vinyl	1
93	H390A	bracket, "L", 2" x 2"	2
94	P631	adapter, pvc, 1-1/2" mpt x 1-1/4" fms	1
95	PH628-4	vac hose, 2", black, wire reinforced	1
96	H217	clamp, hose, 2-1/4 dia	4
97	H503	vac support, 3 stage, 3.25", no thrds	3
98	C347	vac motor, lx, hybrid, 173 cfm, 120v	1
99	H203	bolt, 1/4-20 x 1-1/4"	2
100	H469-A	bracket, vac motor, 6.6", u-shape	1
101	H096	bolt, hex, 1/4-20 x 4", zinc Finish	3
102	H469-B	bracket, vac motor, 6.6", round	1
103	G100	gasket, air series manifold	1
104	H202	bolt, 1/4-20 x 3/4" hex head, s/s	5
105	C348	vac motor, lx, hybrid, w/inlet tube, 173 cfm, 120v	1
106	PH628-15	vac hose, 2" wire reinforced, gray	1
107	H194	coupler, 2" dia x 2.5" length, s/s	1

**ITEMS NOT SHOWN**

PART NO.	DESCRIPTION	QTY
A145	wheel kit, handle	1
ADP-ACCS	manual, print	1
ADP-QS	manual, print	1
E351A	power cord, ext 50'	1
G008	black piglet filters	1
H110V	cuff-lynx, 2" fem cuff x 2" hose	1
H141V	cuff-lynx, 2" fem cuff x 1.5" fem vac hose, vinyl	1
P590	cuties, 1/4" qd, standard	1



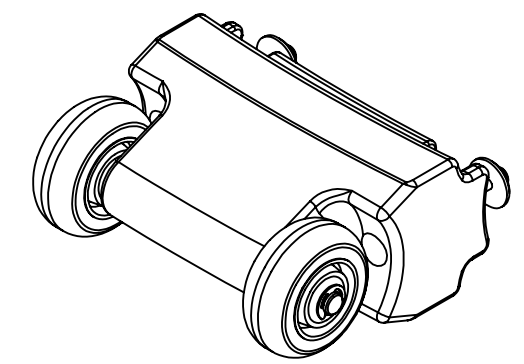
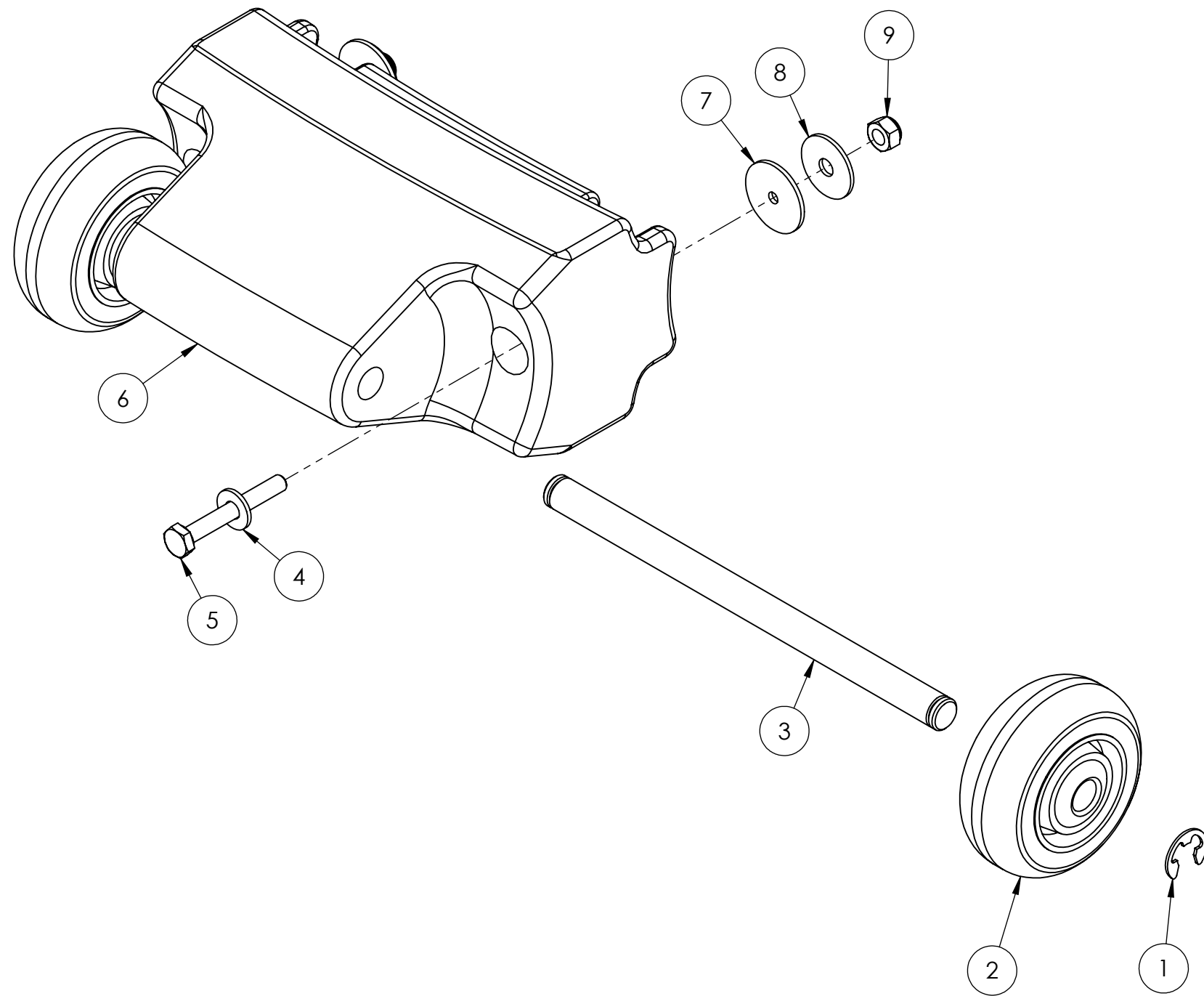
NAME	DATE	<b>MYTEE</b> 858-679-1191
DRAWN M.LaBarbera	12/2017	
CHECKED		TITLE:
COMMENTS:		<b>speedster</b>
PROPRIETARY AND CONFIDENTIAL THE INFORMATION CONTAINED IN THIS DRAWING IS THE SOLE PROPERTY OF MYTEE LLC. ANY REPRODUCTION IN PART OR AS A WHOLE WITHOUT THE WRITTEN PERMISSION OF MYTEE LLC IS PROHIBITED.		SIZE DWG. NO. REV <b>C</b> 1005LX <b>OD</b>
SCALE: 1:32		DO NOT SCALE DRAWING SHEET 1 OF 4



	NAME	DATE	<b>MYTEE</b> 858-679-1191		
DRAWN	M.LaBarbera	12/2017			
CHECKED			TITLE:		
COMMENTS:			speedster		
<small>PROPRIETARY AND CONFIDENTIAL</small> <small>THE INFORMATION CONTAINED IN THIS DRAWING IS THE SOLE PROPERTY OF MYTEE LLC. ANY REPRODUCTION IN PART OR AS A WHOLE WITHOUT THE WRITTEN PERMISSION OF MYTEE LLC IS PROHIBITED.</small>			SIZE	DWG. NO.	REV
			<b>C</b>	<b>1005LX</b>	<b>0D</b>
SCALE: 1:8			DO NOT SCALE DRAWING	SHEET 2 OF 4	

ITEM NO.	PART NO.	DESCRIPTION	QTY.
1	H042	c-clip, 12mm, external	2
2	H358B	wheel, 3"	2
3	H507	axle, 7.94" x .50" dia	1
4	H210	washer, 1/4" flat, s/s	2
5	H169	bolt, 1/4-20 x 2", hex head	2
6	P650	wheel handle, LTD	1
7	G052	washer, buna 1-1/8" od x 3/16" id	2
8	H211	washer, 1/4" id x 1" od, flat, s/s	2
9	H216	nut, lock, 1/4-20, nylon insert, s/s	2

REVISIONS			
REV.	DESCRIPTION	DATE	APPROVED
OD	ORIGINAL DRAFT	3/2019	JFL



DRAWN	M.LaBarbera	DATE	3/2019	<b>MYTEE</b> <small>858-679-1191</small>		
CHECKED						TITLE:
COMMENTS:				SIZE	DWG. NO.	REV
<small>PROPRIETARY AND CONFIDENTIAL</small> <small>THE INFORMATION CONTAINED IN THIS DRAWING IS THE SOLE PROPERTY OF MYTEE LLC. ANY REPRODUCTION IN PART OR AS A WHOLE WITHOUT THE WRITTEN PERMISSION OF MYTEE LLC IS PROHIBITED.</small>				<b>C</b>	<b>1005LX</b>	<b>OD</b>
				SCALE: 1:4	DO NOT SCALE DRAWING	SHEET 3 OF 4

**REVISIONS**

REV.	DESCRIPTION	DATE	APPROVED
OD	ORIGINAL DRAFT	12/2017	JFL

	NAME	DATE	<b>MYTEE</b> <small>858-679-1191</small>	
DRAWN	M.LaBarbera			
CHECKED			TITLE:	
COMMENTS:				
<b>PROPRIETARY AND CONFIDENTIAL</b> <small>THE INFORMATION CONTAINED IN THIS DRAWING IS THE SOLE PROPERTY OF MYTEE LLC. ANY REPRODUCTION IN PART OR AS A WHOLE WITHOUT THE WRITTEN PERMISSION OF MYTEE LLC IS PROHIBITED.</small>			SIZE DWG. NO. <b>C 1005LX</b>	REV
SCALE: 1:32			DO NOT SCALE DRAWING	SHEET 4 OF 4